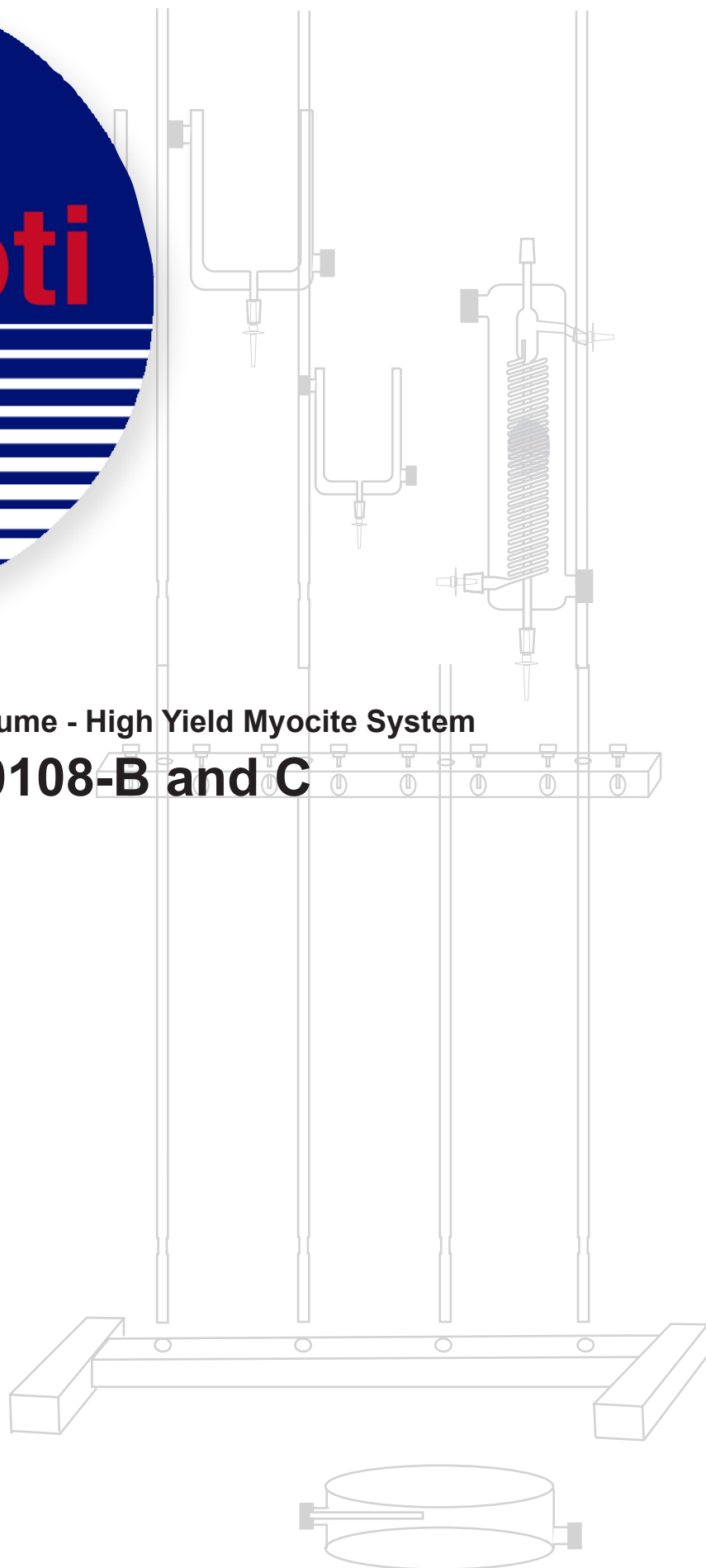




Radnoti Low Volume - High Yield Myocyte System

**120108-B and C**



## List of Components for 120108-B

Description	Qty	Part #
Base only, for 4-bar stand	1	159950-B4
Stabilizer Bar only, for 4-Bar stand	1	159950-C4
Rod 24" Long Stainless Steel	7	159950-24
Single Ring Clamp (100ml Reservoirs)	3	159953-100
Single Ring Clamp (50ml Reservoir)	1	159953-50
Single Ring Clamp (5.5ml Heating Coil)	1	159952-10
Universal Stand Clamp	5	159952
Cannula Assembly for 120108-B	1	120153-24LT
100ml Tissue Organ Bath (Reservoir)	3	1583-101
50ml Tissue Organ Bath (Reservoir)	1	158351
5.5ml Heating Coil with internal Bubble Trap	1	158831
Cannula Assembly Holder	1	C1256
Water Jacketed Flex Tube Assembly (12")	1	130155-12
120108-C Perfusate Tubbing Kit	1	
120108-C Water Jacket Tubbing Kit	1	

Fig 1

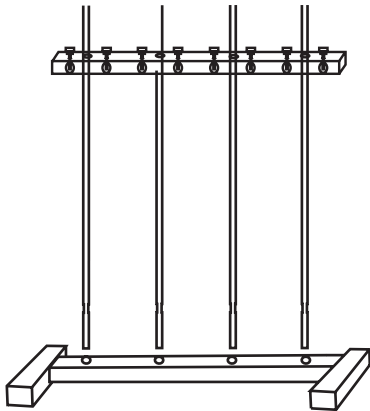


Fig 2

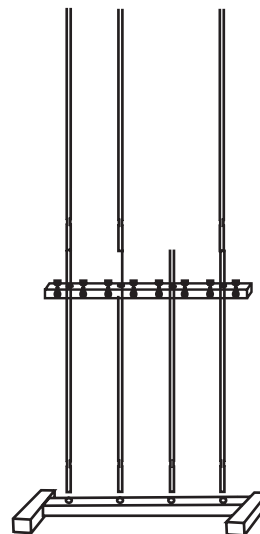


Fig 3

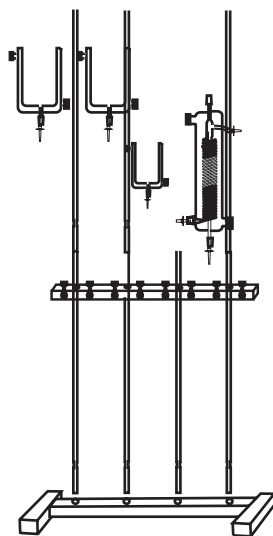
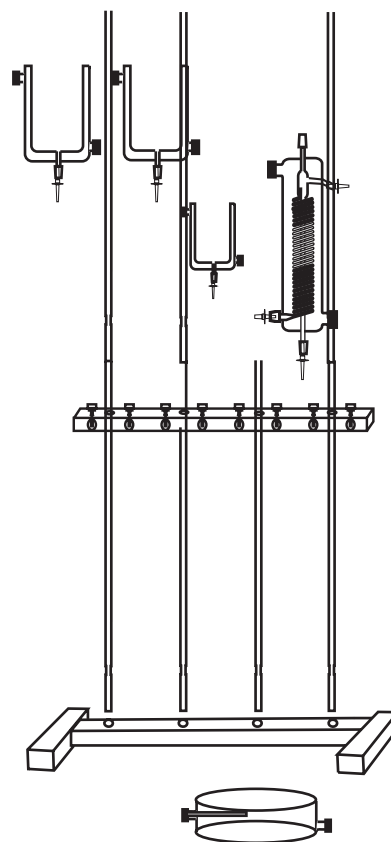
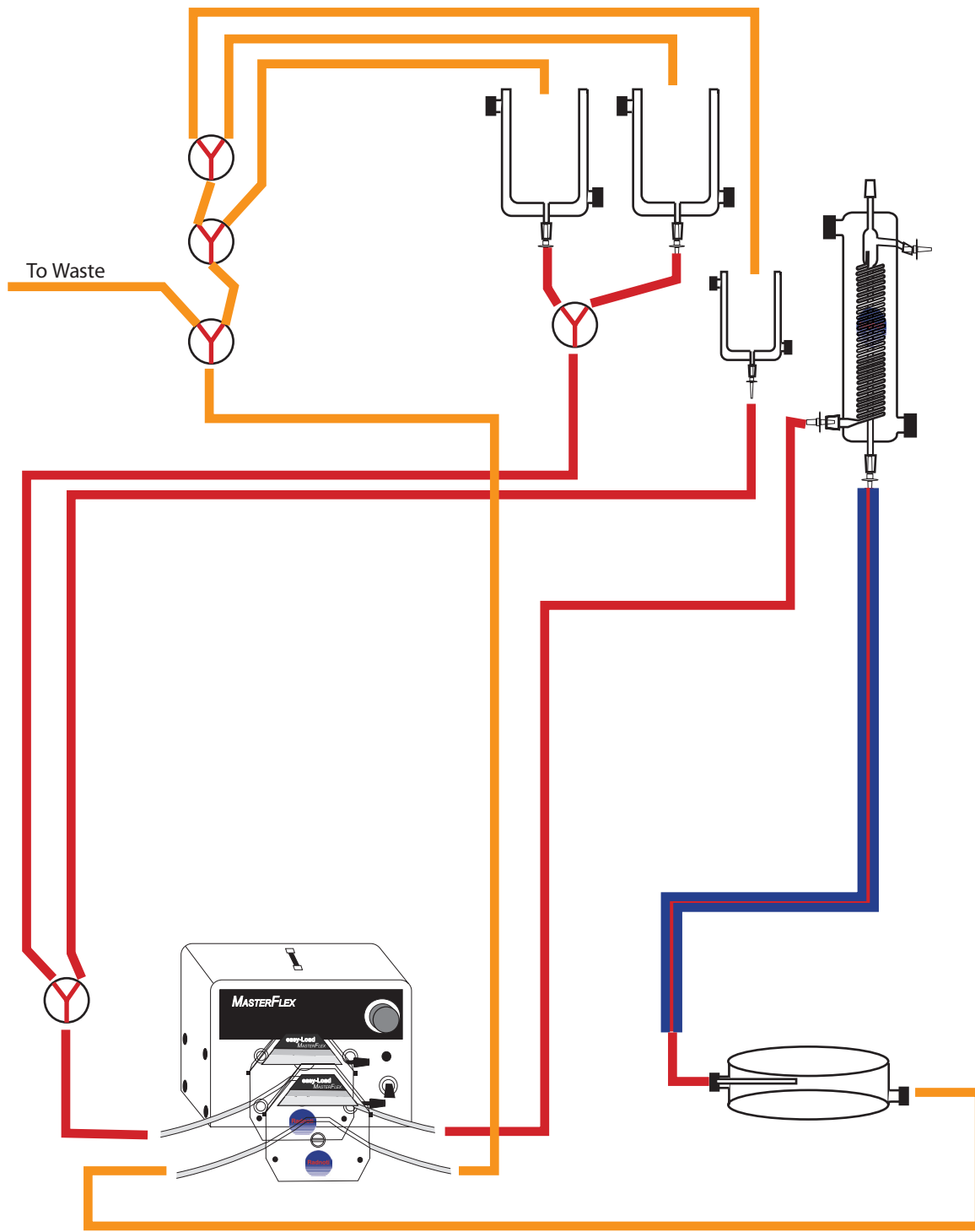


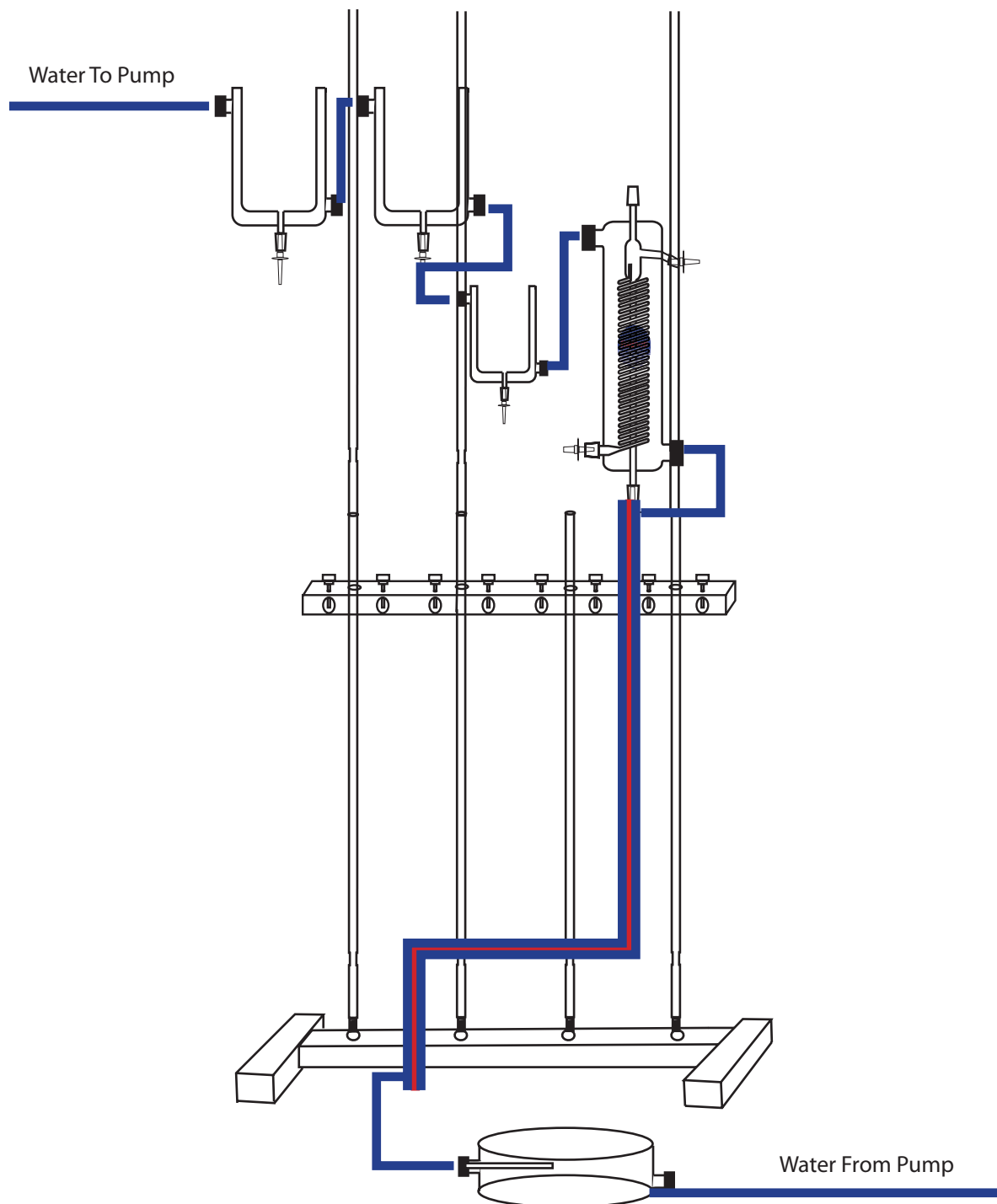
Fig 4



## Perfusion Connection for 120108 B



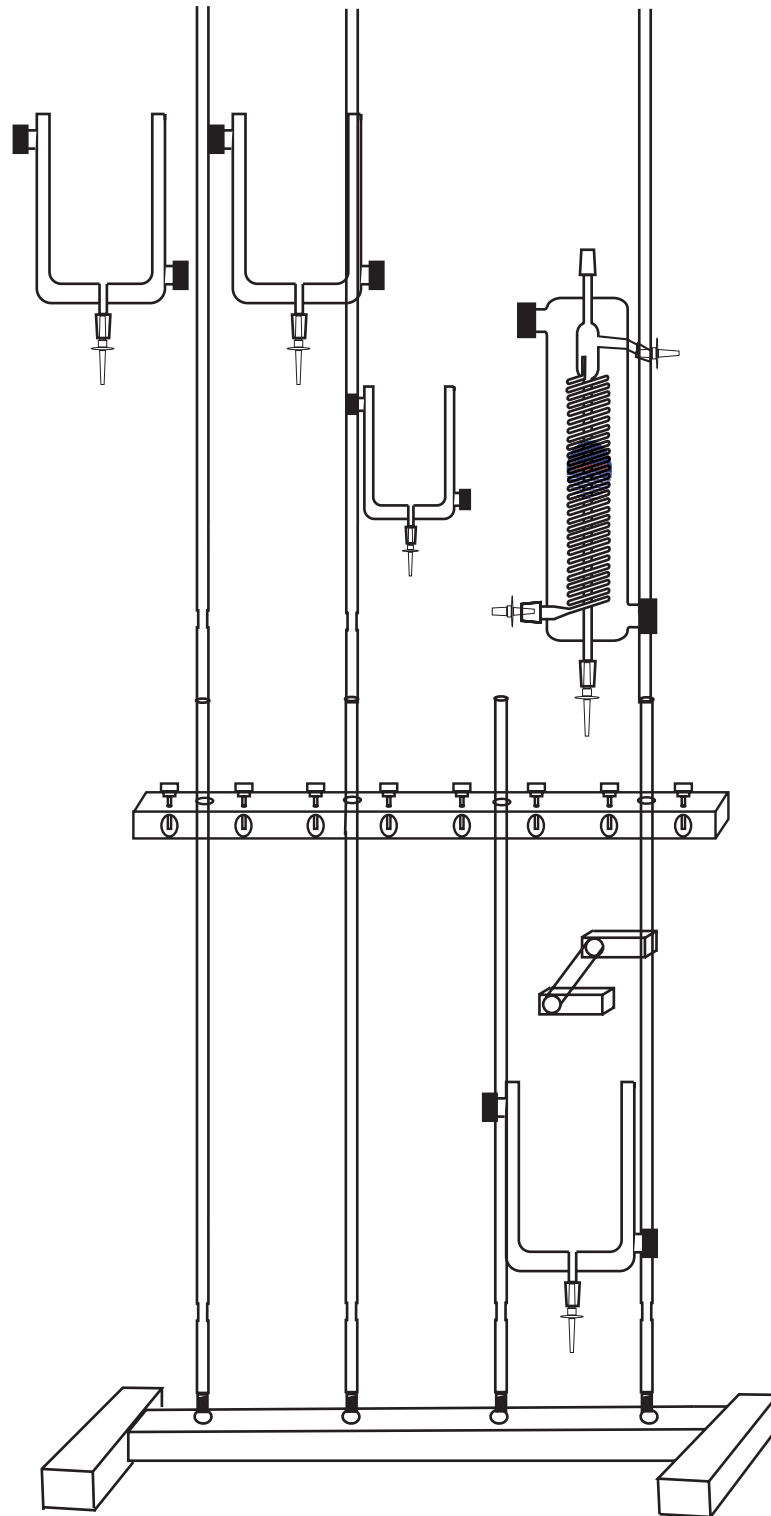
## Water-Jacketed Tubing Connection Chart 120108 B



## List of Components for the 120108-C

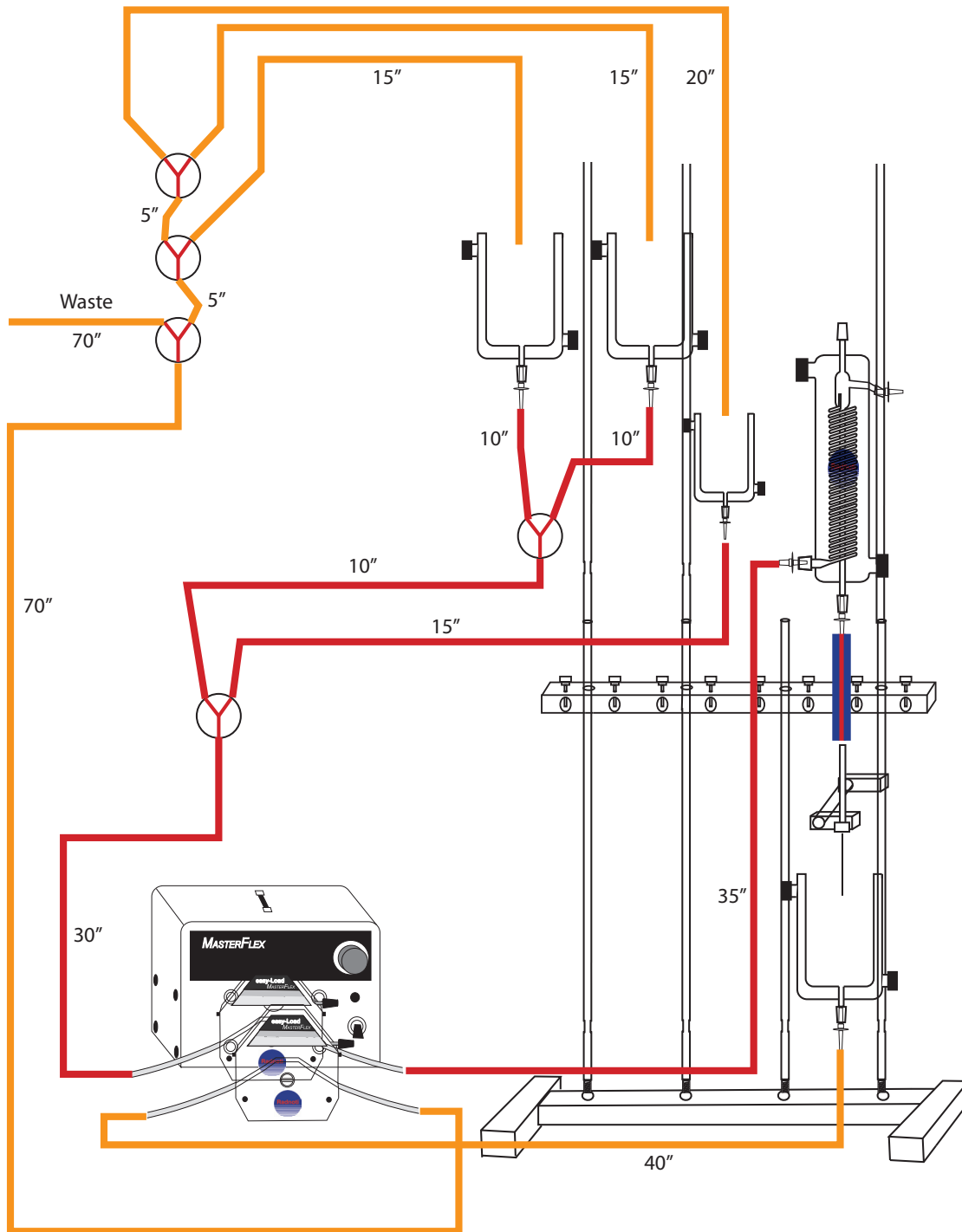
Description	Qty	Part #
Base only, for 4-bar stand	1	159950-B4
Stabilizer Bar only, for 4-Bar stand	1	159950-C4
Rod 24" Long Stainless Steel	7	159950-24
Single Ring Clamp (100ml Reservoirs)	2	159953-100
Single Ring Clamp (50ml Reservoir)	1	159953-50
Single Ring Clamp (5.5ml Heating Coil)	1	159952-10
Universal Stand Clamp	4	159952
Cannula Assembly for 120108-B	1	120153-24LT
100ml Tissue Organ Bath (Reservoir)	2	1583-101
50ml Tissue Organ Bath (Reservoir)	1	158351
5.5ml Heating Coil with internal Bubble Trap	1	158831
Custom Preparatory Tissue Bath with side cannula port	1	C1256
Water Jacketed Flex Tube Assembly (12")	1	130155-12
120108-C Tubbing Kit	1	

## Stand Assembly of the 120108-C

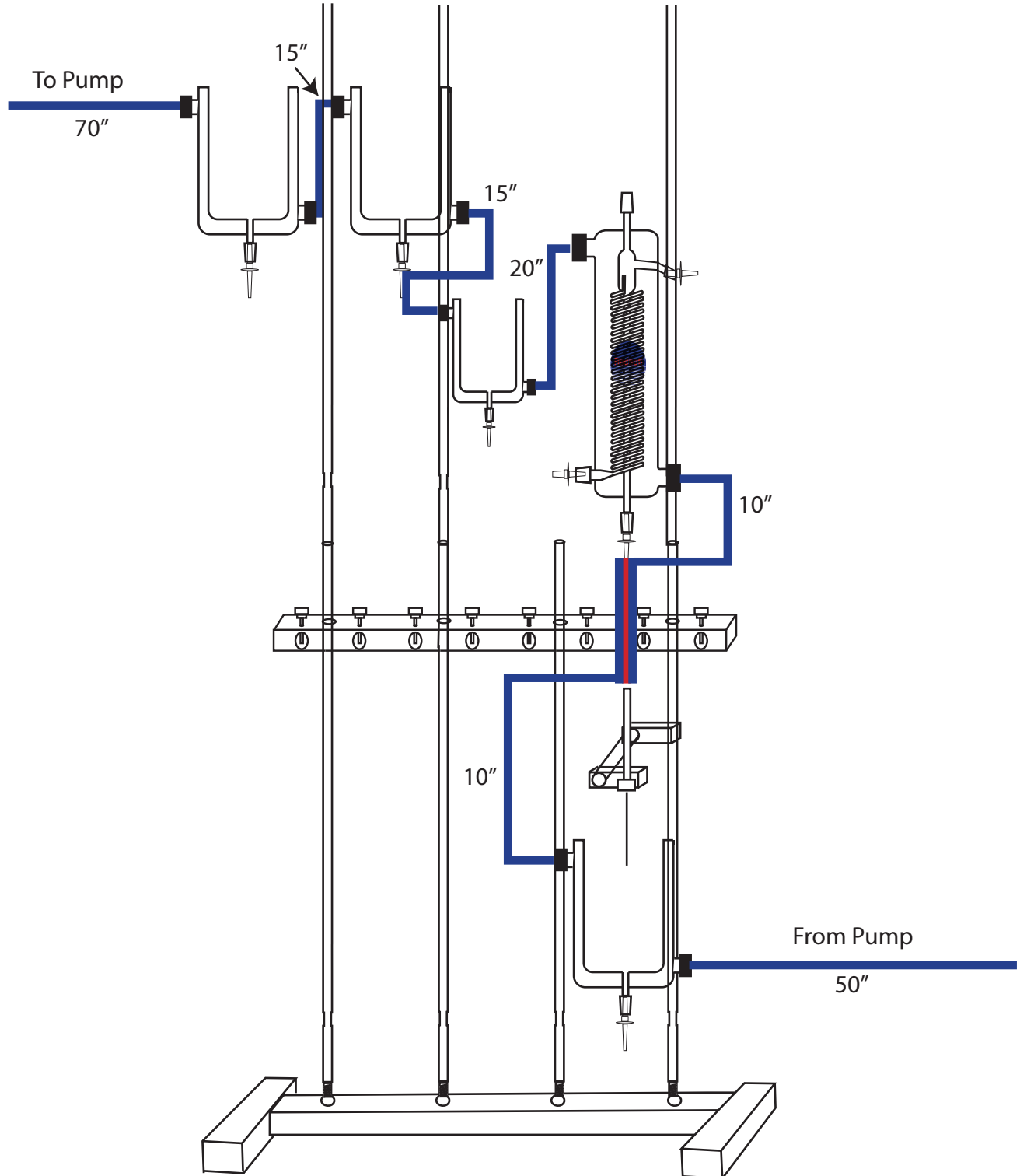


## Perfusion Connection For 120108-C

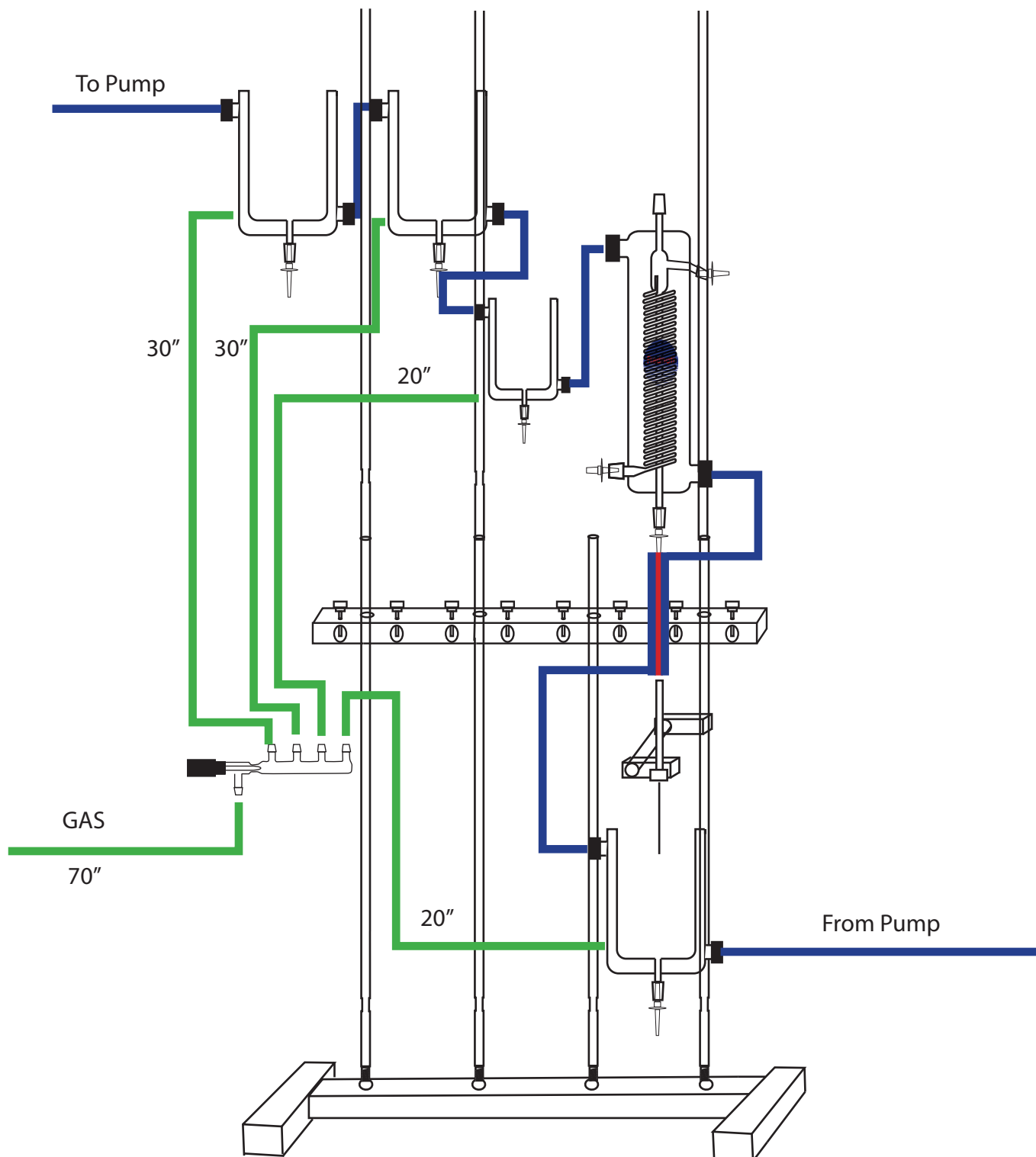
Y Three way valve   ■ Perfusate   ■ Return   ■ Radnoti Flex Tube



## Water Jacket Connection 120108-C



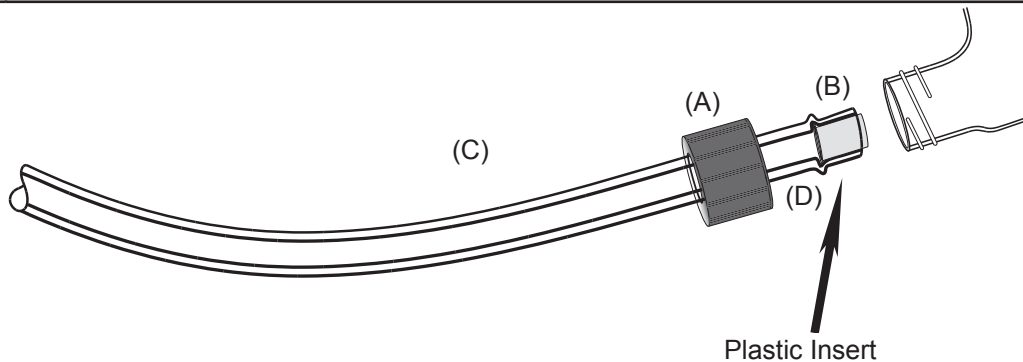
## Oxygen Connection For 120108-C



## RADNOTI 'QUICK DISCONNECT' INSTRUCTIONS

For Reference only

A	Slide Cap-With hole onto the water line. (Tygon tubing #120159)
B	Push the plastic sleeve insert into the end of the Tygon tubing with the flared end first. (Catalog #120160)
C	Be sure to use 5/16 x 3/16 inch Tygon tubing. (Catalog #120159)
D	<u>MOISTEN TIP OF TYGON TUBING</u> before insertion into the threaded glass.
	<b>CAUTION:</b> To avoid breakage, do not over tighten the screw cap.



Replacement Part List:

Catalog No.	Description
120160	Plastic sleeve insert, 25/Pkg
120159	Tygon tubing 5/16 x 3/16 ID, 50 ft/min
160196	Drilled cap for W/J.Q.D.