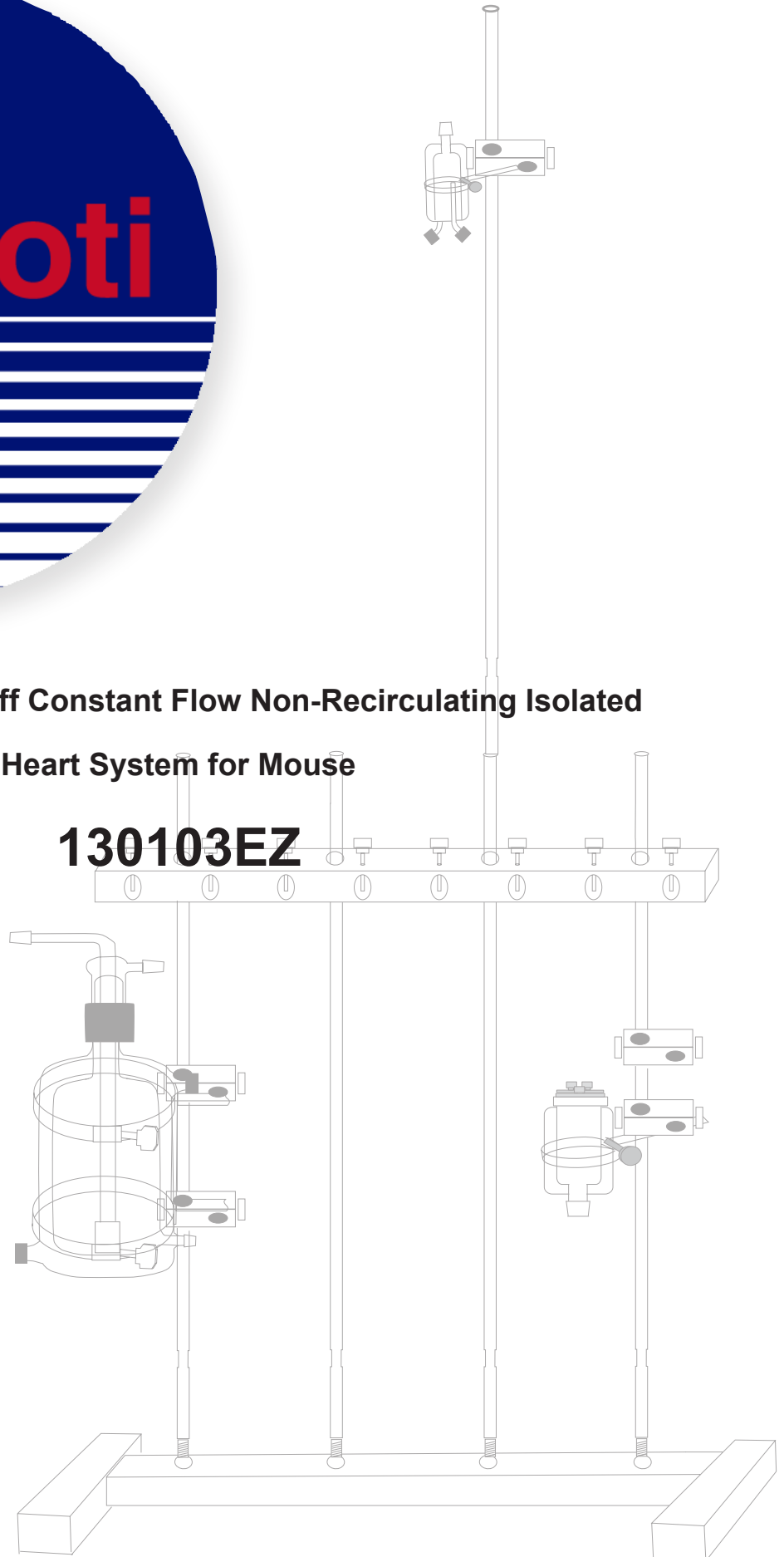


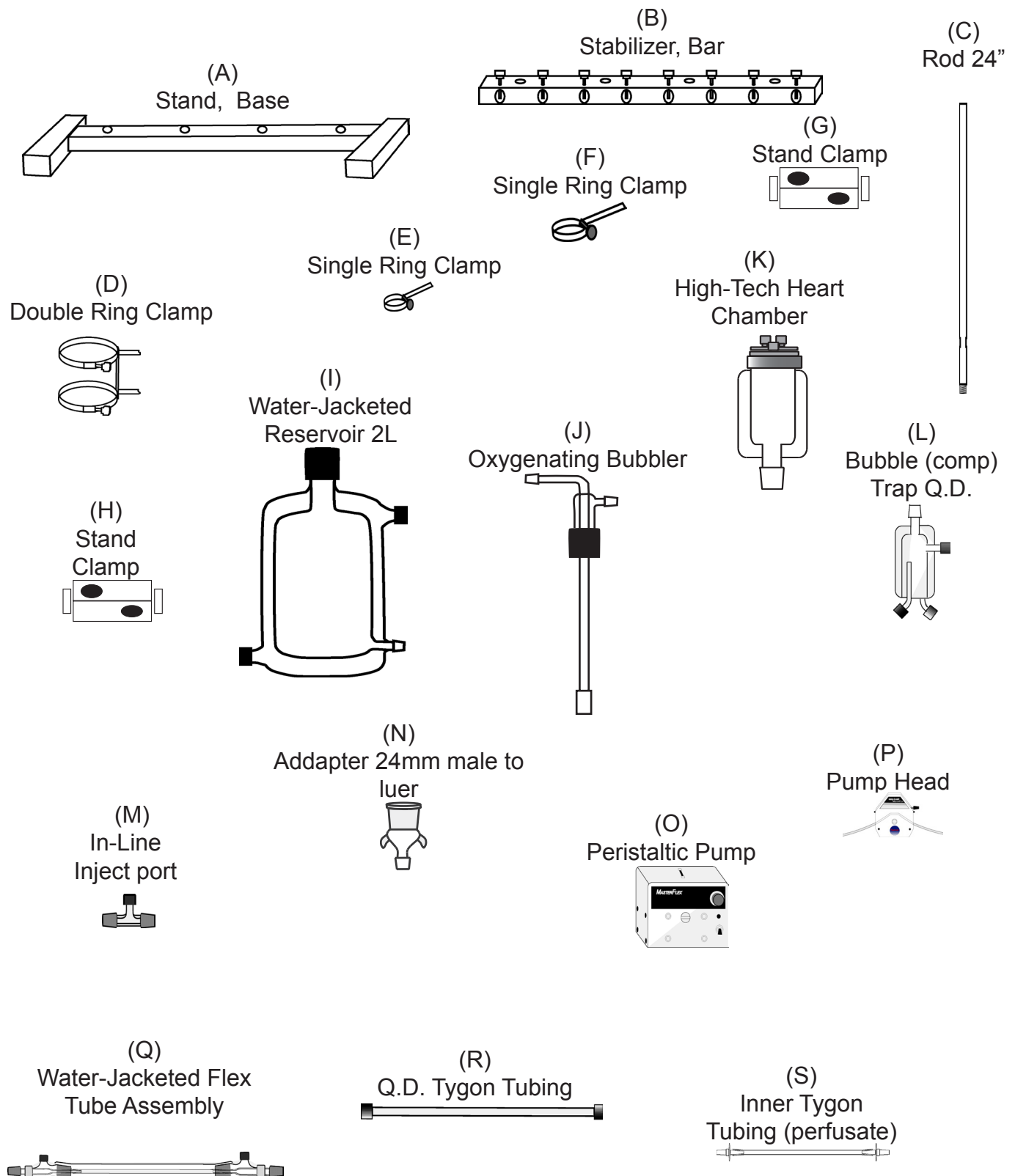


**Radnoti Langendorff Constant Flow Non-Recirculating Isolated
Heart System for Mouse**

130103EZ



	Description	Qty	Part #
A	Base only, for 4-bar stand	1	159950-B4
B	Stabilizer Bar only, for 4-Bar stand	1	159950-C4
C	Rod 24" Long Stainless Steel	5	159950-24
D	Double Ring Clamp for Reservoir	1	120141-2
E	Single Ring Clamp (Bubble Trap)	1	120149-RC
F	Single Ring Clamp (Mouse Heart Chamber)	1	159953-50
G	Stand Clamp Large (Grey)	2	159952-10
H	Stand Clamp Medium (Red)	3	159952-11
I	Water-Jacketed Reservoir 2 Liter	1	120142-2
J	Oxygenating Bubbler for 2 Liter Reservoir	1	120143-2
K	High-Tech Mouse Heart Chamber	1	130160
L	Bubble Trap Q.D. Ports (Compliance)	1	130149
M	In-Line Injection Port	1	120151
N	Adapter 24mm Male to Luer	1	140132
O	Peristaltic Pump (0 - 100 RPM)	1	170100-50
P	Easy-Load Pump Head (6 Roller Head)	1	170111
Q	Water-Jacketed Flex Tube Assembly		
	36"	1	120155-36
	72"	1	120155-72
R	Q.D. Tygon Tubing (Water-Jacketed)		
	10"	1	120159-10
	20"	1	120159-20
	40"	1	120159-40
	50"	2	120159-50
	75"	1	120159-75
S	Inner Tygon Tubing (Perfusate, gas)		
	48"	1	120157-48
	50"	1	120157-50
	60"	1	120157-60



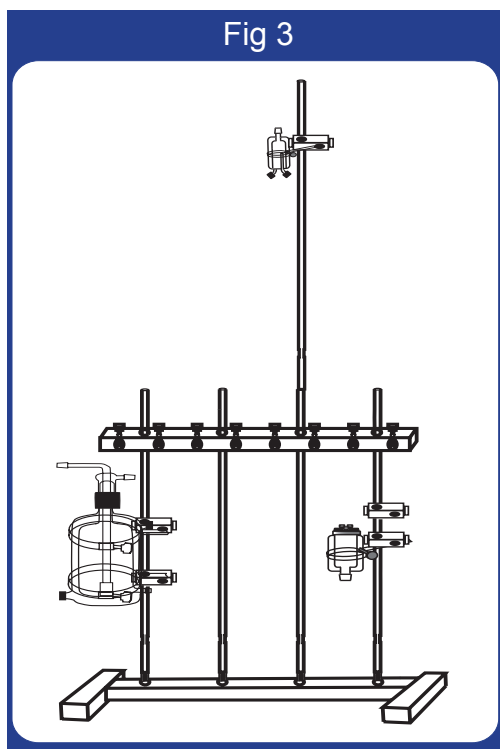
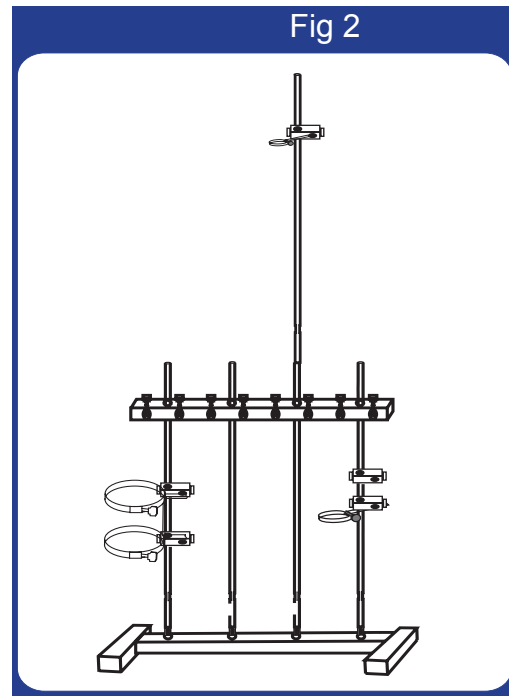
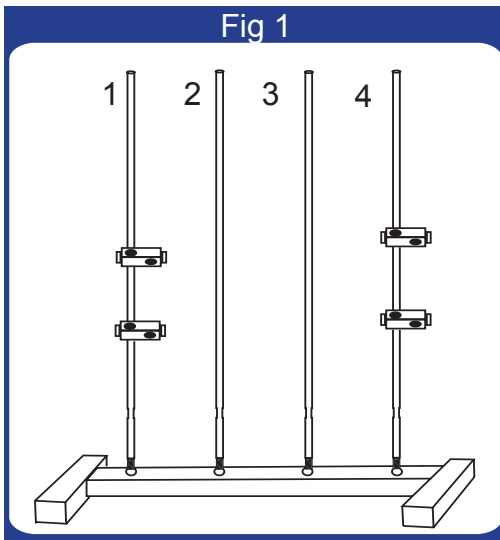
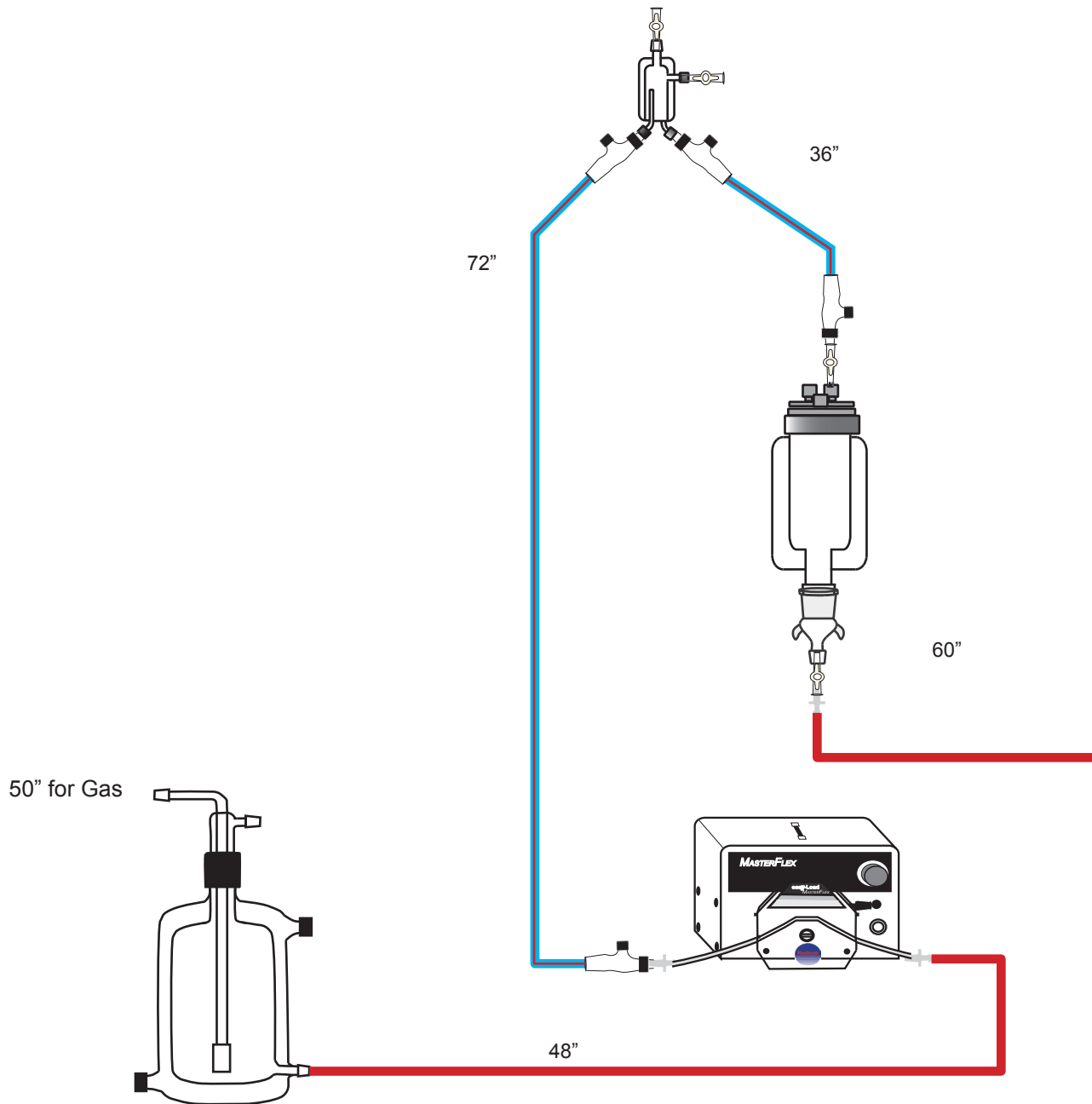


Fig 1: Screw 24" Rods (C) into Base (A). Slide 2 Stand Clamp, large (grey) onto rod 1. Slide 2 Stand Clamp, medium (red) onto rod 4.

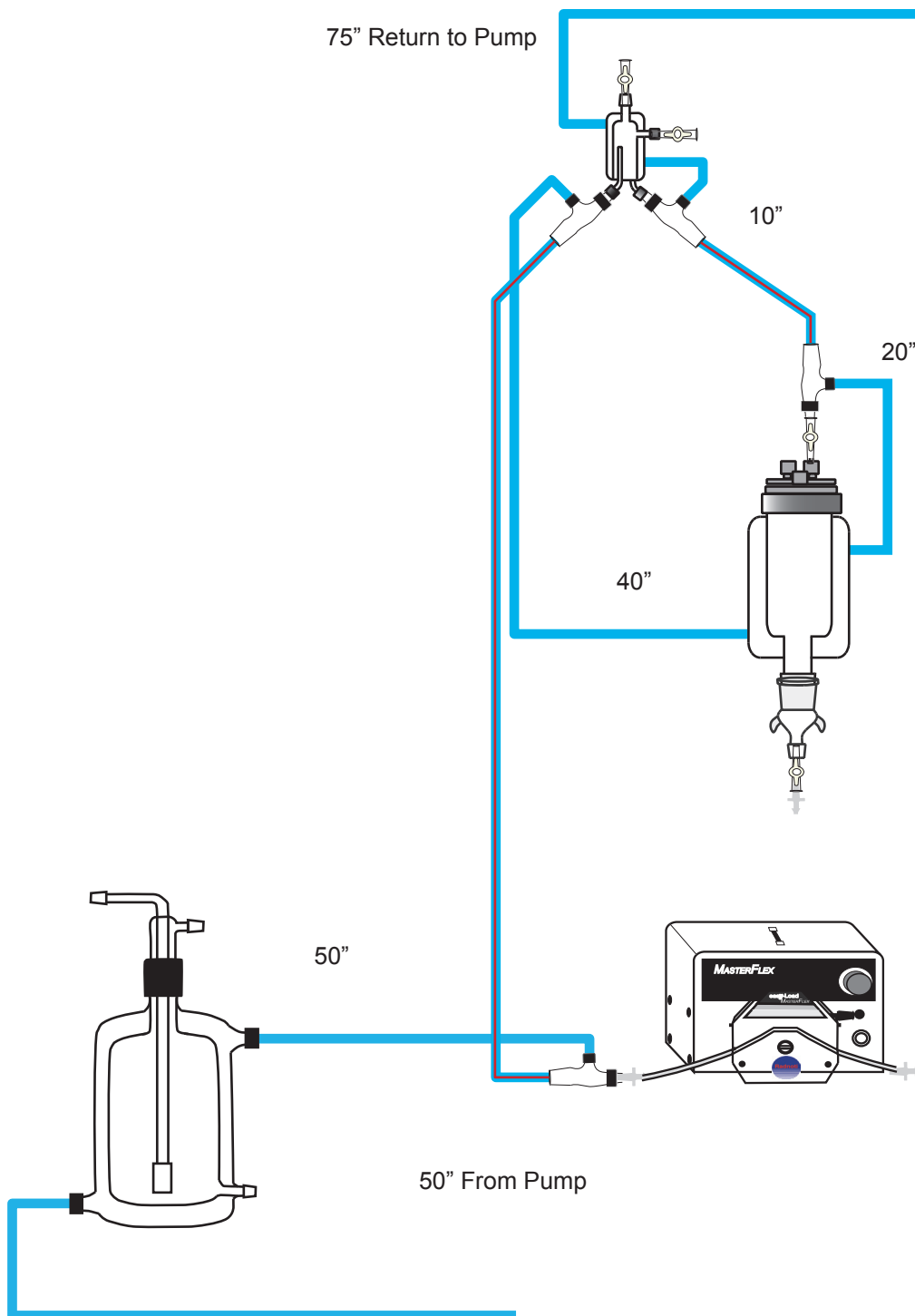
Fig 2: Slide Stabilizer bar (B) over 24" Rods (C) and secure near the top. Screw a 24" Rod (C) into the top of Rod 3. Slide Stand Clamp, medium (red) onto the top of Rod 3. Place a theRing Clamp for the bubble trap (E) into the Stand Clamp on top of Rod 3. Now place the Double Ring Clamp (D) into the Stand Clamps on Rod 1. Place the Ring Clamp for Heart Chamber into the lower Stand Clamp on Rod 4.

Fig 3: Place the Bubble Trap (L) into the Ring Clamp (E) on top of Rod 3. Now Place The 2L Reservoir (J) into the Double Ring Clamp on Rod 1. Place the High-Tech Mouse Heart Chamber into the Ring Clamp on Rod 4 and slide the handle from the lid into the Stand Clamp above the Chamber

Perfusion Connection



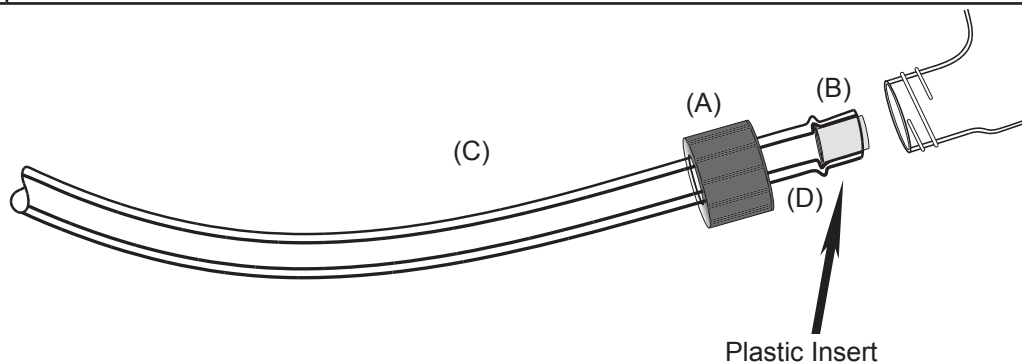
Water-Jacketed Tubing Connection Chart



RADNOTI 'QUICK DISCONNECT' INSTRUCTIONS

For Reference only

A	Slide Cap-With hole onto the water line. (Tygon tubing #120159)
B	Push the plastic sleeve insert into the end of the Tygon tubing with the flared end first. (Catalog #120160)
C	Be sure to use 5/16 x 3/16 inch Tygon tubing. (Catalog #120159)
D	<u>MOISTEN TIP OF TYGON TUBING</u> before insertion into the threaded glass.
	CAUTION: To avoid breakage, do not over tighten the screw cap.



Replacement Part List:

Catalog No.	Description
120160	Plastic sleeve insert, 25/Pkg
120159	Tygon tubing 5/16 x 3/16 ID, 50 ft/min
160196	Drilled cap for W/J.Q.D.